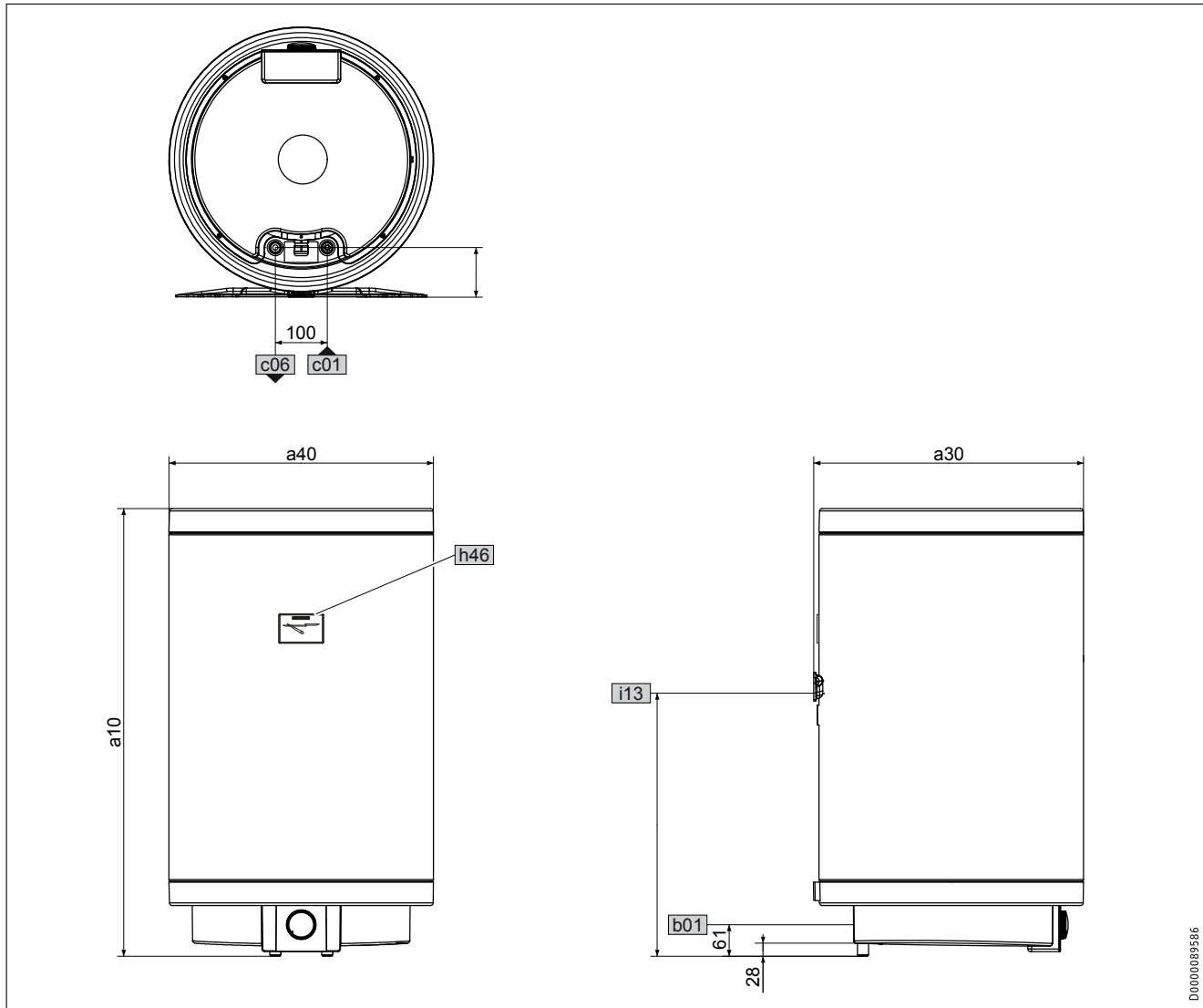


## 15. Specification

### 15.1 Dimensions and connections



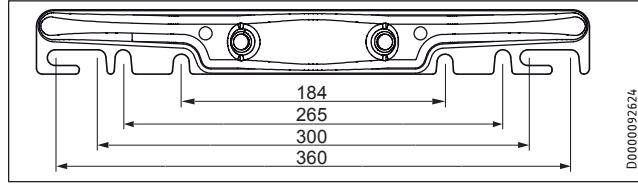
D0000089586

			PSH 30 Trend	PSH 50 Trend	PSH 80 Trend	PSH 100 Trend	PSH 120 Trend	PSH 150 Trend	PSH 200 Trend	
a10	Appliance	Height	mm	642	897	871	1025	1178	1410	1715
a30	Appliance	Depth	mm	410	410	520	520	520	520	520
a40	Appliance	Diameter	mm	405	405	510	510	510	510	510
b01	Entry electrical cables	Threaded fitting		PG 16	PG 16	PG 16	PG 16	PG 16	PG 16	PG 16
c01	Cold water inlet	Male thread		G 1/2 A	G 1/2 A	G 1/2 A	G 1/2 A	G 1/2 A	G 1/2 A	G 1/2 A
		Rear clearance	mm	85.5	85.5	95	95	95	95	95
c06	DHW outlet	Male thread		G 1/2 A	G 1/2 A	G 1/2 A	G 1/2 A	G 1/2 A	G 1/2 A	G 1/2 A
		Rear clearance	mm	85.5	85.5	95	95	95	95	95
h46	Temperature indicator									
i13	Wall mounting bracket	Height	mm	522	582	505	772	809	1047	1350

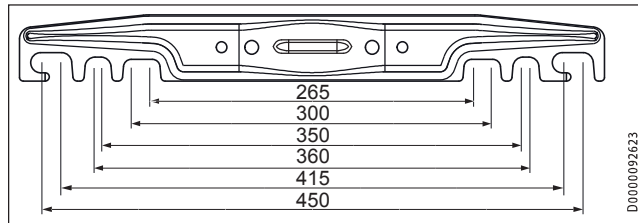
# INSTALLATION Specification

## Wall mounting bracket

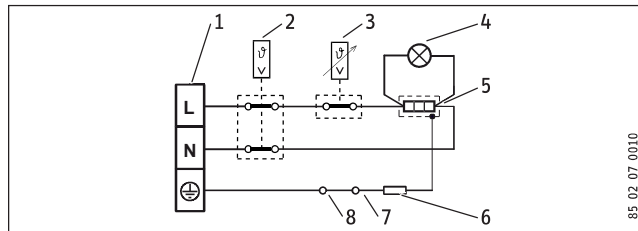
### 30 - 50 l



### 80 - 200 l



## 15.2 Wiring diagram

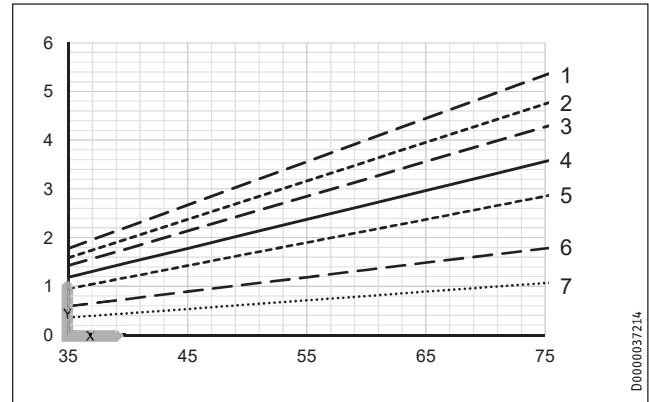


- 1 Terminal
- 2 High limit safety cut-out
- 3 Temperature controller
- 4 ON/OFF indicator
- 5 Heating element
- 6 Electrical resistance 560 ohm
- 7 Anode
- 8 Cylinder

## 15.3 Heat-up diagrams

The heat-up time depends on the cylinder capacity, cold water inlet temperature and heating output.

Graph assumes 15 °C cold water inlet temperature:



X Temperature setting [°C]

Y Heat-up time [h]

- 1 200 l
- 2 150 l
- 3 120 l
- 4 100 l
- 5 80 l
- 6 50 l
- 7 30 l

## 15.4 Fault conditions

In the event of a fault, temperatures of up to 95 °C at 0.6 MPa can occur.

## 15.5 Details on energy consumption

Product datasheet: Conventional water heaters to regulation (EU) no. 812/2013 and 814/2013 / (S.I. 2019 No. 539 / Schedule 2)

	PSH 30 Trend	PSH 50 Trend	PSH 80 Trend	PSH 100 Trend	PSH 120 Trend	PSH 150 Trend	PSH 200 Trend
	232080	232081	232082	232083	232084	232085	232086
Manufacturer	STIEBEL ELTRON	STIEBEL ELTRON	STIEBEL ELTRON	STIEBEL ELTRON	STIEBEL ELTRON	STIEBEL ELTRON	STIEBEL ELTRON
Load profile	S	M	M	L	L	L	XL
Energy efficiency class	C	C	C	C	C	C	C
Energy conversion efficiency %	34	37	36	38	38	37	38
Annual power consumption kWh	544	1386	1412	2716	2723	2763	4367
Default temperature setting °C	60	60	60	60	60	60	60
Sound power level dB(A)	15	15	15	15	15	15	15
Daily power consumption kWh	2591	6451	6603	12583	12622	12861	20133